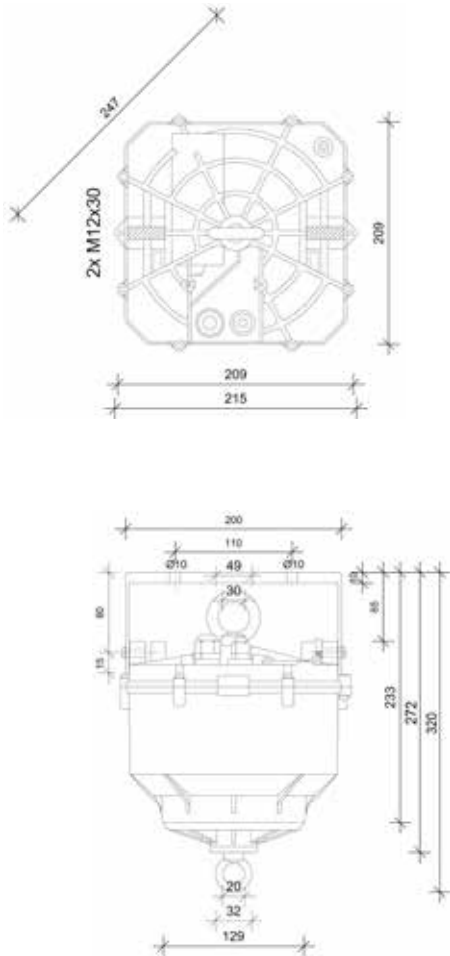


# Heavy Duty Type Multicontact

The multi-contact version of the Heavy duty range offer the same flexibility as the standard version but are available up to 20m. Separate power supplies for the motor, main lamp and auxiliary contacts offer flexibility and dimming facility for loads up to 50kg.



Dimensions:  
PSI-20 M, PSI-30 M

Heavy Duty Type Multicontact	PSI-20 M	PSI-30 M	PDI-35 M	PDI-50 M
Lifting capacity	7-20 kg	12-30 kg	15-35 kg	15-50 kg
Lowering distance	20 m	15 m	10 m	
Suspension cable	single		dual	
Motor supply and lighting circuit	separate		separate	
Power supply motor	230V AC/50Hz; 120W			
Lighting circuit	16A, 230V AC		16A, 230V AC	
Auxiliary contacts / capacity	4/6A, 230V AC		4/6A, 230V AC	
Protection category / class	IP 54/I		IP 54/I	
Temperature range	-15 °C to + 60 °C		-15 °C to + 60 °C	
Net weight / with packaging	8,7/9,9 kg		8,7/9,9 kg	9,5/10,7 kg